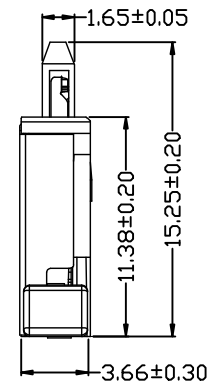
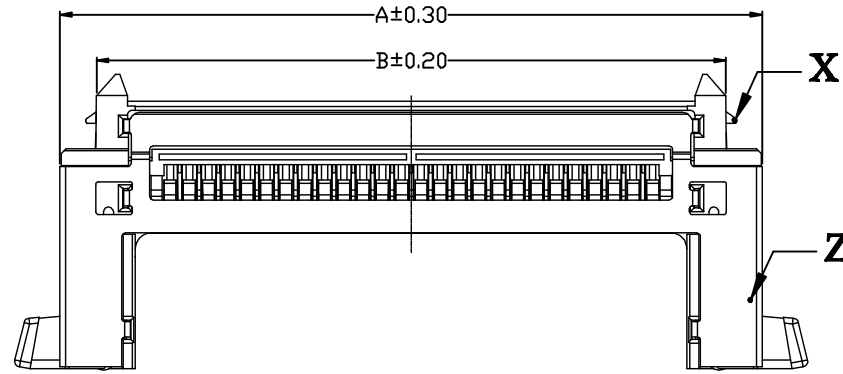


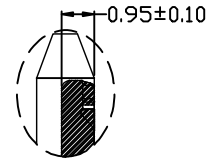
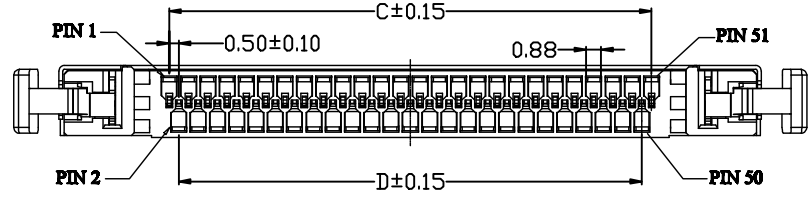
1 | 2 | 3 | 4 | 5 | 6 | 7 | 8

F
E
D
C
B
A

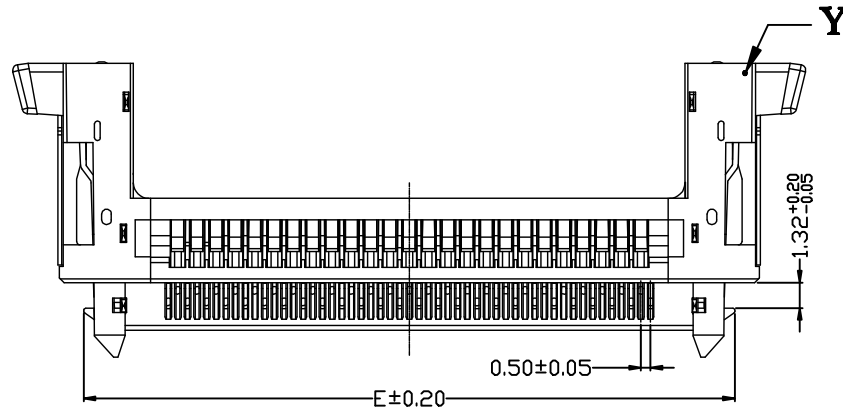
F
E
D
C
B
A



- Specifications**
- Current Rating: 0.8A AC / DC
 - Withstanding Voltage: 200V AC/minute
 - Insulation Resistance: 100MΩ Min.
 - Temperature Range: -40°C~+80°C
 - Contact Resistance: Initial value/40mΩ Max.
- Housing**
- Part No.: J0500H
 - Poles: 31, 41, 51
 - Material: Nylon46 UL94V-0
 - Suitable HLB J0500T-A, J0500T-B Series Terminal
 - Qty: 15,000 Pcs/Bag



CONTACT AND HOUSING ASSEMBLY DIAGRAM



表一

序号	名称	用量数	材质	材料规格	备注
Z	铁壳	1	SUS304	0.20mmT	素材
Y	塑胶主体	1	PA46	黑色+30%GF	UL 94V-0
X	卡钩	2	SUS304	0.30mmT	素材

表二

Poles	Part No	Dimensions (mm)				
		A	B	C	D	E
31	J0500H-31	26.40	22.60	15.00	14.00	23.90
41	J0500H-41	31.40	27.60	20.00	19.00	28.90
51	J0500H-51	36.40	32.60	25.00	24.00	33.90

				GENERAL TOLERANCE X ±0.30 .XX ±0.20 XXX ±0.10			东莞市翰皓精密电子有限公司 Dongguan HanHao Precision Electronics Co.,Ltd				PART NO. J0500H-XX			
				PROJECT ⊕			APPROVAL Smark Yu wei Liu Yan				TITLE 0.5 mm Crimp Style Connectors			
				DATE 2011/08/22			CHECK Yu wei				NUMBER 8			
				NEW REV A			DRAWN Liu Yan				REV B			
				ECN			DATA 2011/08/22							
				DESCRIPTION Modify frame format										
				CHECK Jova										
				APPROVAL Jova Lau										

1 | 2 | 3 | 4 | 5 | 6 | 7 | 8

1 | 2 | 3 | 4 | 5 | 6 | 7 | 8

F

E

D

C

B

A

F

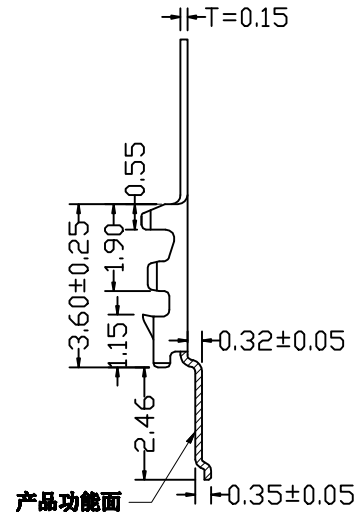
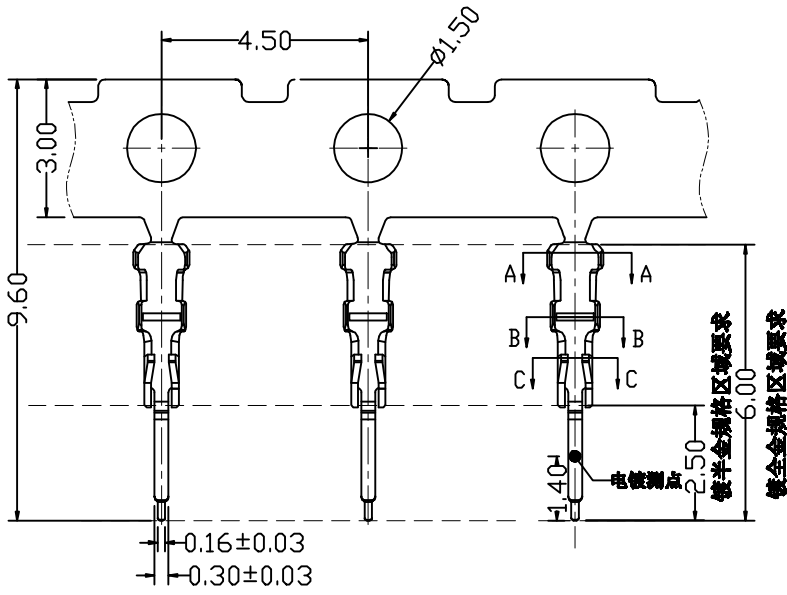
E

D

C

B

A

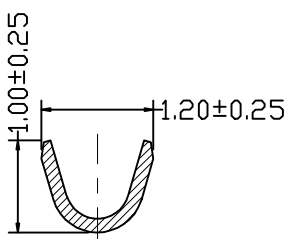


■ Specifications

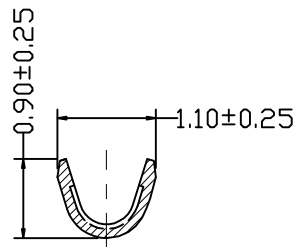
- Voltage Rating: 200V AC/DC
- Current Rating: 0.8A AC/DC
- Withstanding Voltage: 500V AC/Minute
- Insulation Resistance: 100MΩ Min
- Temperature Range: -25°C~+85°C
- Contact resistance: Intial value/40mΩ Mmax

■ Terminal

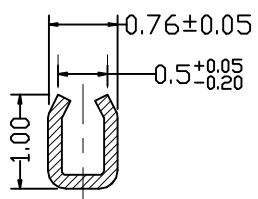
- Part No.: J0500T-A
- Applicable Wire: AWG#28-32
- Material: Phosphor Bronze
- Finish: Gold-flash
- Used in HBL J0500 series Housing
- Q'ty: 15,000 Pcs/Reel



Section: A-A



Section: B-B



Section: C-C

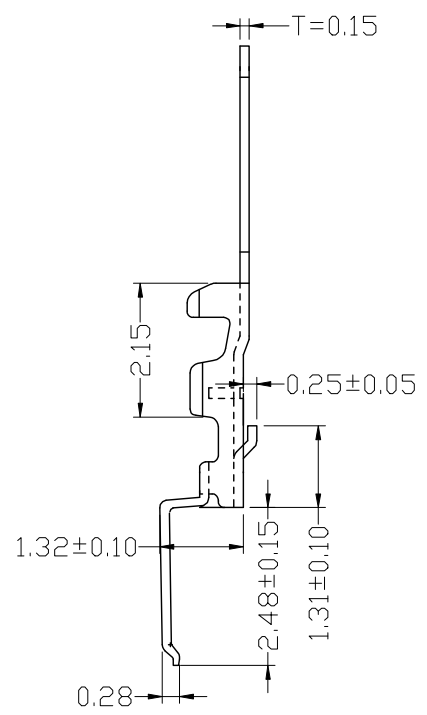
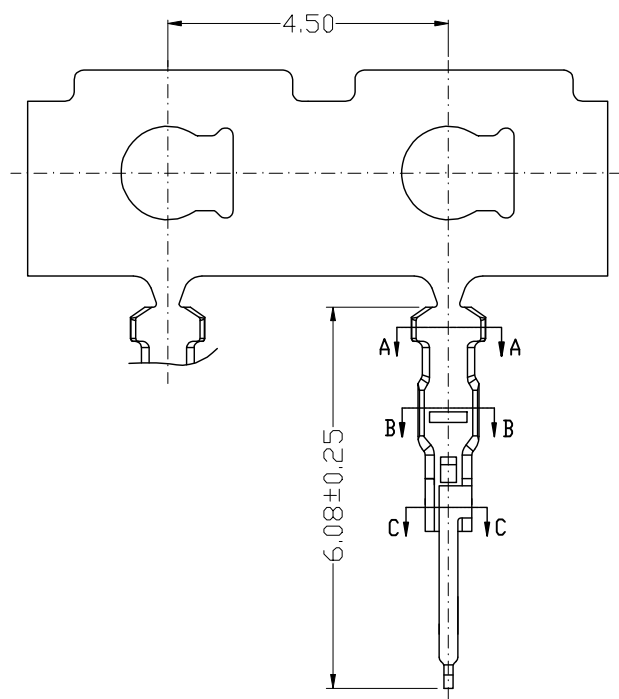
								GENERAL TOLERANCE				东莞市翰皓精密电子有限公司 Dongguan HanHao Precision Electronics Co.,Ltd				PART NO. J0500T-A			
												TITLE 0.5 mm Crimp Style Connectors							
2011/08/22	A	B		Modify frame format	Jova	Jova Lau				APPROVAL	CHECK	DRAWN	DATA	UNIT	SCALE	NUMBER	REV		
DATE	OLD REV	NEW REV	ECN	DESCRIPTION	CHECK	APPROVAL	PROJECT			Smark	Yu wei	Liu Yan	2011/08/22	mm	1:1		B		

1 | 2 | 3 | 4 | 5 | 6 | 7 | 8

1 | 2 | 3 | 4 | 5 | 6 | 7 | 8

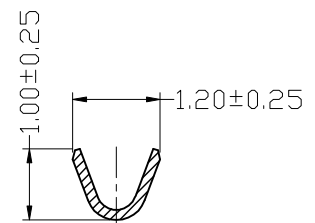
F
E
D
C
B
A

F
E
D
C
B
A

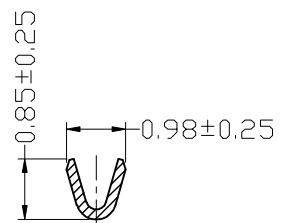


- **Specifications**
- Voltage Rating: 200V AC/DC
 - Current Rating: 0.8A AC/DC
 - Withstanding Voltage: 500V AC/Minute
 - Insulation Resistance: 100MΩ Min.
 - Temperature Range: -25°C~+85°C
 - Contact Resistance: Initial value/40mΩ Max.

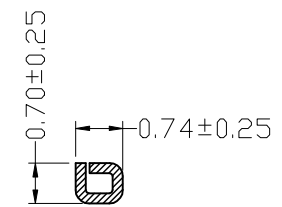
- **Terminal**
- Part No.: J0500T-B
 - Applicable Wire: AWG#30-36
 - Material: Phosphor Bronze
 - Finish: Gold-Flash
 - Used in HLB J0500 Series Housing
 - Qty: 15,000 Pcs/Reel



Section:A-A



Section:B-B



Section:C-C

							GENERAL TOLERANCE X ±0.30 XX ±0.20 XXX ±0.10				东莞市翰皓精密电子有限公司 Dongguan HanHao Precision Electronics Co.,Ltd				PART NO. J0500T-B			
											TITLE 0.5 mm Crimp Style Connectors							
							APPROVAL Smark CHECK Yu wei DRAWN Liu Yan DATA 2011/08/22				UNIT mm SCALE 1:1 NUMBER 8 REV B							
2011/08/22	A	B		Modify frame format	Jova	Jova Lau												
DATE	OLD REV	NEW REV	ECN	DESCRIPTION	CHECK	APPROVAL												

1 | 2 | 3 | 4 | 5 | 6 | 7 | 8