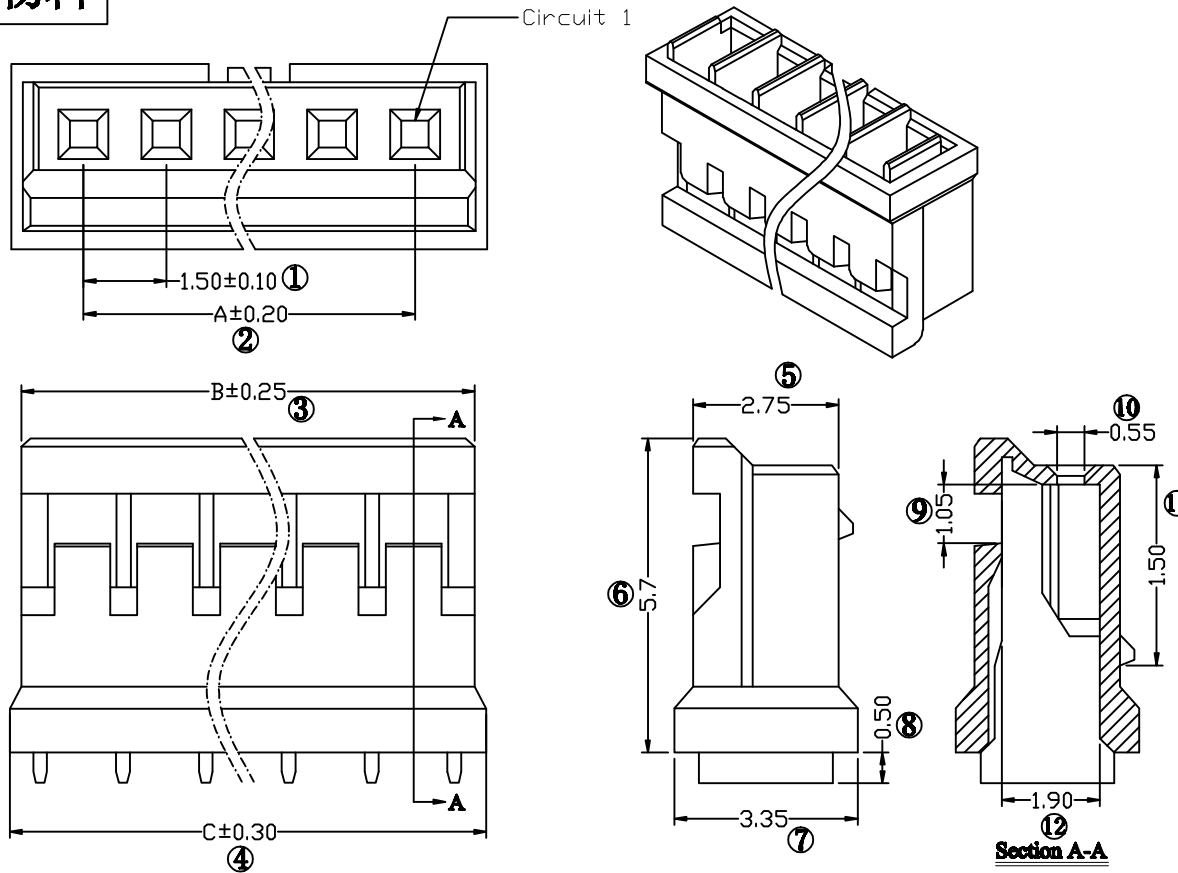


环保物料



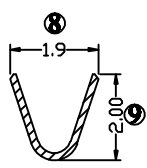
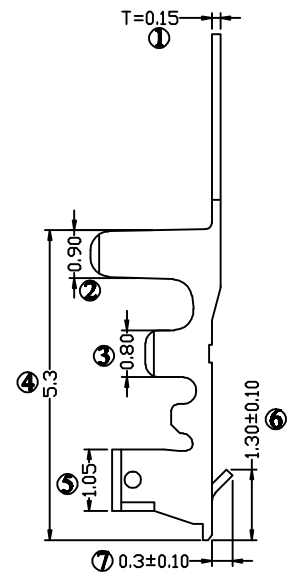
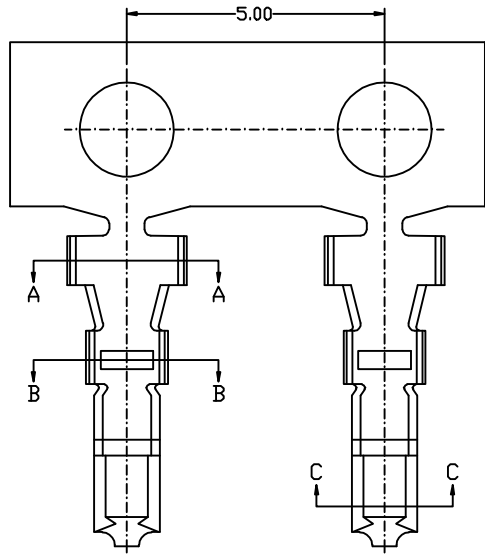
- Specifications(规格):
- Voltage rating(额定电压): 250V AC/DC
 - Current rating(额定电流): 3A AC/DC
 - Withstanding voltage(耐压值): 500V AC/minute
 - Temperature range(工作温度): -25°C~+85°C
 - Insulation resistance(绝缘电阻): ≥1000MΩ
 - Contact resistance(接触电阻): ≤20mΩ
 - After environmental testing(环境测试后): ≤30mΩ

- Housing(胶壳)
- Part No. (料号): M1504H-XXP
 - Poles (PIN数): 02-15
 - Material (材质): Nylon 66 (尼龙66) UL 94V-0
 - Suitable HLB M1504T Series Terminal(匹配M1504T系列端子)
 - Mates With HLB M1512WS、M1504WRS Series Wafer (匹配M1504WS、M1504WRS系列针座)
 - Q'ty (数量): 1,000Pcs/Bag/每袋 (1,000Pcs)

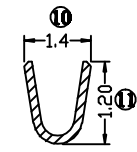
Poles	Part No	Dimensions (mm)			Poles	Part No	Dimensions (mm)		
		A	B	C			A	B	C
2	M1504H-02P	1.50	3.70	4.10	9	M1504H-09P	12.00	14.20	14.60
3	M1504H-03P	3.00	5.20	5.60	10	M1504H-10P	13.50	15.70	16.10
4	M1504H-04P	4.50	6.70	7.10	11	M1504H-11P	15.00	17.20	17.60
5	M1504H-05P	6.00	8.20	8.60	12	M1504H-12P	16.50	18.70	19.10
6	M1504H-06P	7.50	9.70	10.10	13	M1504H-13P	18.00	20.20	20.60
7	M1504H-07P	9.00	10.20	11.60	14	M1504H-14P	19.50	21.70	22.10
8	M1504H-08P	10.50	12.70	13.10	15	M1504H-15P	21.00	23.20	23.60

					<p>一般公差 GENERAL TOLERANCE</p> <p>.X ±0.3</p> <p>.XX ±0.2</p> <p>.XXX ±0.1</p>				<p>东莞市翰皓精密电子有限公司 Dongguan HanHao Precision Electronics Co.,Ltd</p>				<p>料号 PART NO M1504H-XXP</p>			
									<p>品名 TITLE 1.50 mm Crimp Style connectors</p>							
2011/05/14	A	B	修改图框格式						核准 APPD	审核 CHK	绘图 DR	日期 DATA				
日期 DATE	旧版次 OLD REV	新版次 NEW REV	变更内容 DESCRIPTION		审核 CHK	核准 APPD	角注 PROJECT		DO	SUCCESS	刘艳	2007/05/03	单位 UNIT MM	比例 SCALE 1/1	图号 NUMBER A-013	版次 REV B

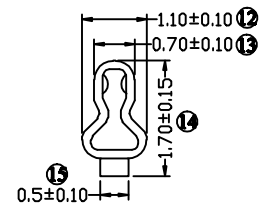
环保物料



Section: A-A



Section: B-B



Section: C-C

■ Specificationsn

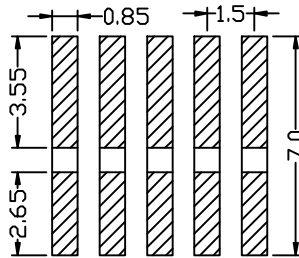
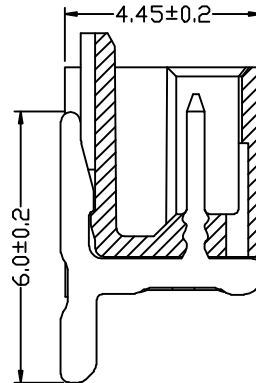
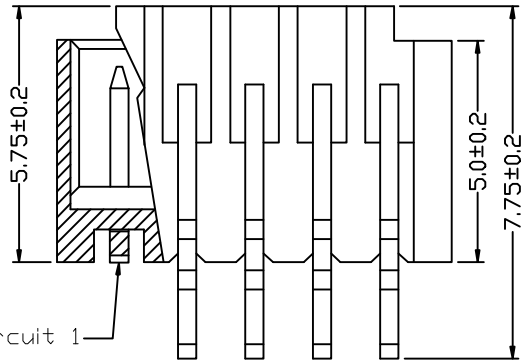
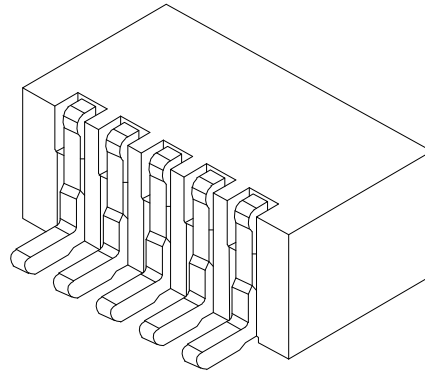
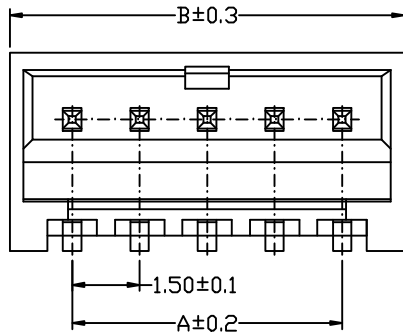
- Voltage rating: 250V AC/DC
- Current rating: 3A AC/DC
- Withstanding Voltage: 500V AC/Minute.
- Insulation resistance:1000MΩ Min.
- Temperature range: -25°C~+85°C
- Contact resistance: Intial value/20mΩ Max.
- After enviornmental testing/20mΩ Max.

■ Terminal

- Part No.: M1504T
- Applicable Wire: AWG#24-28
- Material: Phosphor Bronze
- Finish: Tin-plated
- Used in HHB M1504H series Housing
- Pieceweight: 0.03 g/Pcs
- Q'ty: 10,000 Pcs/Reel

					<p>一般公差 GENERAL TOLERANCE</p> <p>.X ±0.3</p> <p>.XX ±0.2</p> <p>.XXX ±0.1</p>				<p>东莞市翰皓精密电子有限公司 Dongguan HanHao Precision Electronics Co., Ltd</p>				<p>料号 PART NO M1504T</p>			
									<p>题名 TITLE 1.5 mm Crimp Style connectors</p>							
2011/05/14	A	B	修改图框格式						核准 APPD	审核 CHK	绘图 DR	日期 DATA	单位 UNIT	比例 SCALE	图号 NUMBER	版次 REV
日期 DATE	旧版次 OLD REV	新版次 NEW REV	变更内容 DESCRIPTION		审核 CHK	核准 APPD	角注 PROJECT	DK	SUCCESS	刘艳	2007/05/03	MM	1:4	A-070	B	

环保物料



Recommend PCB Layout

Specifications(规格):

- Voltage rating(额定电压): 350V AC / DC
- Current rating(额定电流): 3A AC / DC
- Withstanding voltage(耐压值): 500V AC/minute
- Temperature range(工作温度): -25°C~+85°C
- Insulation resistance(绝缘电阻): $\geq 1000M\Omega$
- Contact resistance(接触电阻): $\leq 20m\Omega$
- After environmental testing(环境测试后): $\leq 30m\Omega$

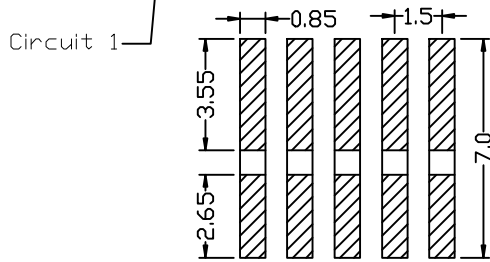
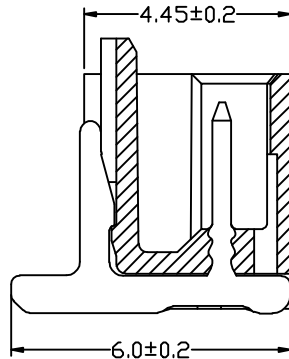
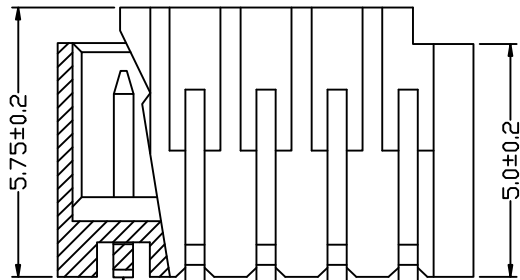
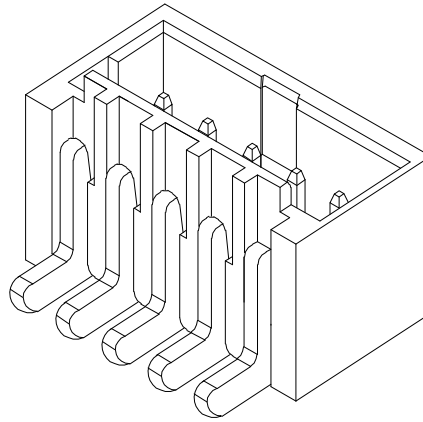
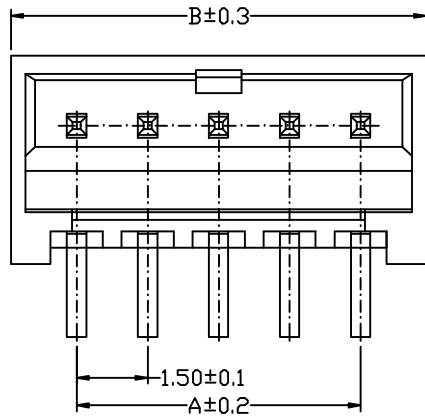
Wafer(针座)

- Part No. (料号): M1502WRS-XXP
- Poles (PIN数): 02-15
- Material (材质): Housing(胶壳): Nylon 6T (尼龙6T) UL 94V-0
Pin 针: Brass (黄铜)
Finish (电镀): Tin-Plated (镀锡)
- Mates With HLB M1502H-XXP Series Housing (匹配 M1504H-XXP 系列胶壳)
- Q'ty (数量): 1,000Pcs/Bag/每袋 (1,000Pcs)

Poles	Part No	Dimensions (mm)	
		A	B
2	M1502WRS-02P	1.50	4.30
3	M1502WRS-03P	3.00	5.80
4	M1502WRS-04P	4.50	7.30
5	M1502WRS-05P	6.00	8.80
6	M1502WRS-06P	7.50	10.30
7	M1502WRS-07P	9.00	11.80
8	M1502WRS-08P	10.50	13.30
9	M1502WRS-09P	12.00	14.80
10	M1502WRS-10P	13.50	16.30
11	M1504WRS-11P	15.00	17.80
12	M1504WRS-12P	16.50	19.30
13	M1504WRS-13P	18.00	20.80
14	M1504WRS-14P	19.50	22.30
15	M1504WRS-15P	21.00	23.80

					一般公差 GENERAL TOLERANCE	东莞市翰皓精密电子有限公司 Dongguan HanHao Precision Electronics Co.,Ltd				料号 PART NO M1504WRS-XXP					
					.X ±0.3	核准 APPD 审核 CHK 绘图 DR 日期 DATA				品名 TITLE 1.50 mm Crimp Style connectors					
					.XX ±0.2					核准 APPD 审核 CHK 绘图 DR 日期 DATA				单位 UNIT 比例 SCALE 图号 NUMBER 版次 REV	
					.XXX ±0.1	DO SUCCESS 刘艳 2007/05/03				MM 1/1 A-106 B					
2011/05/14	A	B	修改图框格式												
日期 DATE	旧版次 OLD REV	新版次 NEW REV	变更内容 DESCRIPTION			审核 CHK	核准 APPD	角注 PROJECT							

环保物料



Recommad PCB Layout

■ Specifications(规格):

- Voltage rating(额定电压): 350V AC / DC
- Current rating(额定电流): 3A AC / DC
- Withstanding voltage(耐压值): 500V AC/minute
- Temperature range(工作温度): -25°C~+85°C
- Insulation resistance(绝缘电阻): $\geq 1000M\Omega$
- Contact resistance(接触电阻): $\leq 20m\Omega$
- After environmental testing(环境测试后): $\leq 30m\Omega$

■ Wafer(针座)

- Part No. (料号): M1504WVS-XXP
- Poles (PIN数): 02-15
- Material (材质): Housing(胶壳): Nylon 6T (尼龙6T) UL 94V-0
Pin针: Brass (黄铜)
Finish (电镀): Tin-Plated (镀锡)
- Mates With HHB M1504H-XXP Series Housing (匹配 M1504H-XXP 系列胶壳)
- Q'ty (数量): 1,000Pcs/Bag/每袋 (1,000Pcs)

Poles	Part No	Dimensions (mm)	
		A	B
2	M1504WS-02P	1.50	4.30
3	M1504WS-03P	3.00	5.80
4	M1504WS-04P	4.50	7.30
5	M1504WS-05P	6.00	8.80
6	M1504WS-06P	7.50	10.30
7	M1504WS-07P	9.00	11.80
8	M1504WS-08P	10.50	13.30
9	M1504WS-09P	12.00	14.80
10	M1504WS-10P	13.50	16.30
11	M1504WS-11P	15.00	17.80
12	M1504WS-12P	16.50	19.30
13	M1504WS-13P	18.00	20.80
14	M1504WS-14P	19.50	22.30
15	M1504WS-15P	21.00	23.80

					一般公差 GENERAL TOLERANCE	东莞市翰皓精密电子有限公司 Dongguan HanHao Precision Electronics Co.,Ltd				料号 PART NO M1504WVS-XXP					
					.X ±0.3	核准 APPD 审核 CHK 绘图 DR 日期 DATA				品名 TITLE 1.50 mm Crimp Style connectors					
					.XX ±0.2					DO SUCCESS 刘艳 2007/05/03				单位 UNIT 比例 SCALE 图号 NUMBER 版次 REV	
					.XXX ±0.1					MM 1/1 A-106 B					
2011/05/14	A	B	修改图框格式												
日期 DATE	旧版次 OLD REV	新版次 NEW REV	变更内容 DESCRIPTION			审核 CHK	核准 APPD	角注 PROJECT							